

# Intellian® v60G

## Marine Stabilized Ku-band

3-axis Communication Antenna System with 60cm Reflector Diameter



### | Gyro-free satellite search capability

Intellian's new generation gyro-free satellite search function enables the v60G to acquire and lock onto the satellite without requiring a separate input from the ship's gyro-compass.

### | Aptus remote management

The v60G can be accessed, monitored, and controlled from any location in the world. Additionally, routine maintenance activities can be automated. Aptus helps automate firmware upgrades, tracking parameter adjustment, and system diagnosis.

### | Wireless & Networking connectivity

The built-in Wi-Fi enables connectivity with Intellian Aptus Mobile for advanced system control and monitoring, including One-Touch satellite library and firmware updates. The new Intellian LAN port on the ACU provides networking connectivity to other Intellian systems enabling integrated monitoring and control of all the Intellian networked devices.

### | Save installation and maintenance time

The simplified design of v60G allows users to install and setup the system without the need for a skilled engineer. Additionally, the v60G provides the utmost in reliability resulting in time and cost savings in maintenance.

### | Dual VSAT mediator

An available unit ensuring uninterrupted, always-on broadband communications. Designed to communicate with two Antenna Control Units (ACU) simultaneously, the Dual VSAT Mediator is ideal for redundant antenna environments. The Mediator automates switching between two antenna systems within 60 milliseconds.

### | Combined BUC power and TX signal

The v60G offers a single cable solution that supplies 48V DC power and the TX signal together from its control unit via one RF cable. Intellian makes it simpler to install or retrofit.

# Intellian

Connect with the best

# Intellian® v60G

## 60cm Ku-band 3-axis Marine Satellite Antenna Systems

### Technical Specifications

Physical	
Radome Height	84.5cm / 33.3"
Radome Diameter	78.0cm / 30.7"
Reflector Diameter	60.0 cm / 23.6"
Weight	59.5kg / 131.2lbs (variable w/ RF components)
Stabilized Pedestal Assembly	
Platform	3-axis / Azimuth, Elevation, Cross-level
Azimuth Range	Unlimited
Elevation Range	-10° to 100°
Cross-level Range	±30°
Stabilization Accuracy	0.2° peak mis-pointing @ max ship motion condition
Motor Brake System	Elevation, Cross-level
Reflector & Feed Assembly	
TX Frequency	13.75~14.5GHz Ku-band
TX Gain	38.1dBi @ Mid band
RX Frequency	10.95~12.75 GHz Ku-band
RX Gain	35.8dBi @ Mid band
G/T	13.64dB/K (Clear Sky, 30° Elevation)
BUC	4W, 8W, 16W (optional)
LNB	Intellian PLL LNB
Polarization	Cross-pol and Co-pol as standard
Antenna Control Unit	
Dimensions (WxDxH)	43.1cm x 38.1cm x 4.4cm / 17" x 15" x 1.7"
Weight	3.5kg / 7.7lbs
Display	2 line 40 character graphic VFD module
Gyrocompass Interface	NMEA / NMEA 2000
Modem Interface	Ethernet port / RS-232C / I/O ports
Modem Protocol	iDirect, Comtech, SatLink, Hughes, GILAT
Remote Management	Yes
Wi-Fi Operation	Yes
Management Port	Yes
Intellian LAN Port	Yes
Power Requirement	100~240V AC, 50~60 Hz, 4A

### Key Features

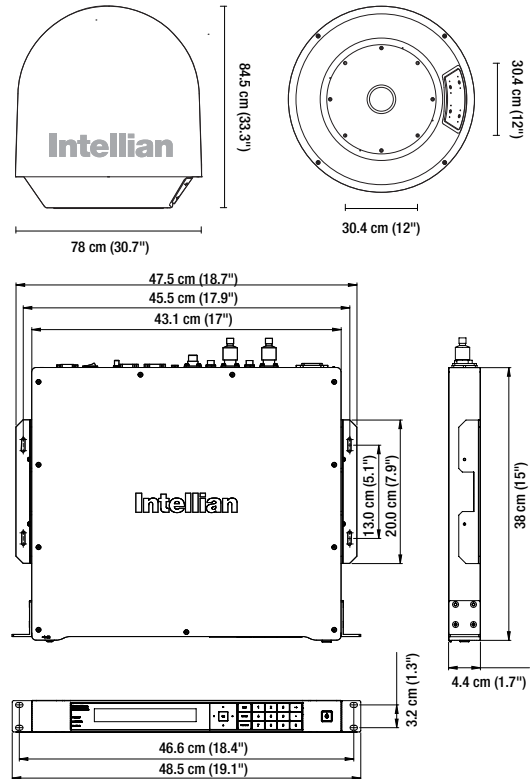
- Gyro-free Operation**

- Without requiring heading device input
- Quick setup to reduce installation time
- Fail safe redundancy
- Built-in web interface

- Aptus software control**

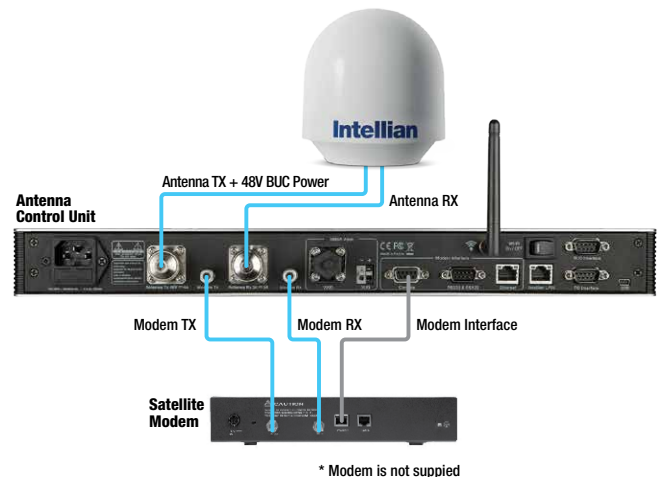
- Automatic diagnosis
- Remote firmware upgrade
- Antenna monitor & control

### System Dimensions



### System Diagram

Two coaxial cables from antenna to ACU 8W BUC power through antenna TX line. No ship gyrocompass connection required.



**Global HQ**  
Innovation Center / Factory  
Intellian Technologies, Inc  
T +82 31 379 1000  
F +82 31 377 6185

**APAC**  
Seoul Office  
Intellian Technologies, Inc.  
T +82 2 511 2244  
F +82 2 511 2235

**Americas**  
Irvine Office  
Intellian Technologies USA, Inc.  
T +1 949 727 4498  
F +1 949 271 4183  
Toll Free +1 888-201-9223

**EMEA**  
Rotterdam Office  
Intellian B.V.  
T +31 1 0820 8655  
F +31 1 0820 8656